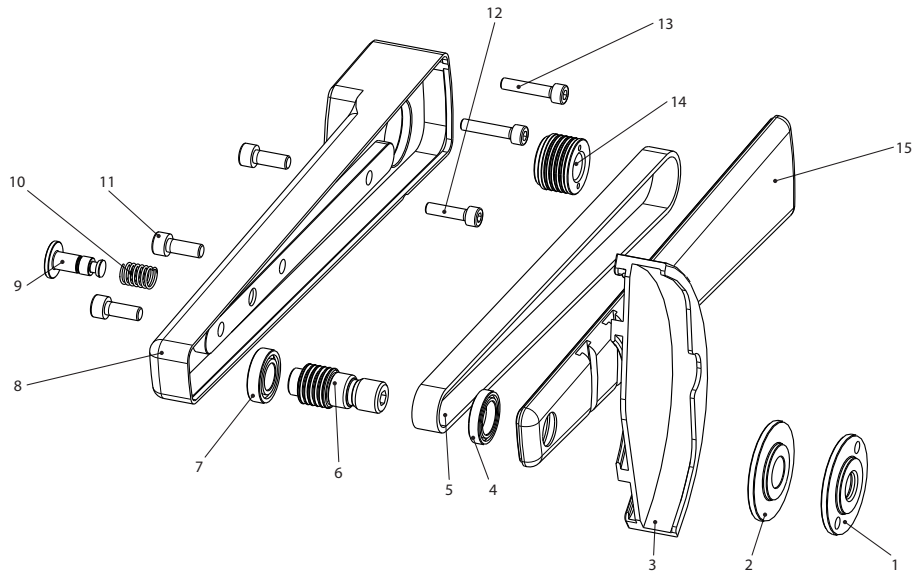


622150XX0

Part	Article	Description
0001	SMFP/310010990	Armature compl., 230V EU
0001	SMFP/310011020	Armature compl., 120V UK+US
0002	SMFP/311011990	Field coil w.field coil, 230 V EU
0002	SMFP/311012010	Field coil w.field coil, 130 V UK+US
0003	SMFP/343410120	Switch 2-pole EU+UK
0003	SMFP/343410290	Switch 2-pole US
0004	SMFP/344499640	Cable w.CEE plug UK
0004	SMFP/344490920	Cable with plug US
0005	SMFP/344102180	Cable sleeve UK
0005	SMFP/344101220	Cable sleeve US
0006	SMFP/343362490	Cable clip
0007	SMFP/315013590	Motor housing
0008	SMFP/339151180	Baffle
0009	SMFP/339151200	Baffle
0010	SMFP/343085850	Electronic unit,230V 50/60Hz EU
0010	SMFP/343085090	Electronic unit,120V 50/60Hz UK+US
0011	SMFP/143115170	Ball bearing, 6x19x6
0012	SMFP/344097870	Rubber bushing
0013	SMFP/339133060	Washer, 8,05x17x0,4
0014	SMFP/143115180	Ball bearing, 8x22x7
0015	SMFP/339006390	Washer, 7,05x19,5x0,2
0016	SMFP/341100940	Hexagon nut w.recess
0017	SMFP/343433070	Switch rod
0018	SMFP/343433030	Cap
0019	SMFP/343433100	End cap
0020	SMFP/343437100	Switch slide
0030	SMFP/339011970	Gasket
0031	SMFP/141121640	Fill. head screw (DIN 7985)

Part	Article	Description
0032	SMFP/141116980	Self-tap. fill. h. screw
0033	SMFP/141117060	Self-tap. fill. h. screw
0052	SMFP/316054970	Bevel gear w.pinion
0053	SMFP/316067080	Gear flange compl. M14 EU+UK
0053	SMFP/316066170	Gear flange compl. 5/8-11" US
0054	SMFP/316066890	Gear housing compl.
0055	SMFP/316066110	Planet wheel set, compl.
0056	SMFP/316065420	Brush holder set
0057	SMFP/316054850	Fan w. dust guard
0058	SMFP/316065450	Carbon brush set cut-off 220V EU
0058	SMFP/316065460	Carbon brush set cut-off 120V UK+US
0061	SMFP/141156650	Retaining ring
0062	SMFP/143193650	O-ring
0063	SMFP/342003390	Pressure spring
0064	SMFP/343433640	Push button
0065	SMFP/341515640	Bolt
0070	SMFP/343433060	Tacho disc
0071	SMFP/343433090	Pivoting switch
0087	SMFP/341605360	Spindle shaft M14 EU+UK
0087	SMFP/341605400	Spindle shaft 5/8-11" US
0088	SMFP/316066120	Flange compl.
0092	SMFP/143195320	O-ring
0094	SMFP/339008020	Washer
0124	SMFP/316067170	carbonbrush with brushholder Set 230V EU
0124	SMFP/316066670	carbonbrush with brushholder Set 110V UK+US
0880	SMFP/344130920	Grease 100G
1001	SMFP/338505780	Diagram
1005	SMFP/316067320	Cable with sleeve EU



Part	Article	Description
0001	SMFE/A1010	Nut flange m14
0002	SMFE/A1009	Lower flange
0003	SMFEN/003	Protective cover
0004	SMFEN/004	Ball bearing 6802rs
0005	SMFEN/005	Multi v-belt pj559 width 11,6mm
0006	SMFEN/006	Driven shaft
0007	SMFEN/007	Ball bearing 6901z
0008	SMFEN/109	Base piece
0009	SMFEN/010	Protective cover lock
0010	SMFEN/011	Spring lock
0011	SMFEN/012	M6x16 din 912
0012	SMFEN/117	M5x25 din 912
0013	SMFEN/119	M5x30 din 912
0014	SMFEN/116	Multi v-belt
0015	SMFEN/118	Lid